

364F/S Diverter Valve

3-Piece Full and Standard Port
ISO 5211 Direct Mount Pad



For Automated &
Manual Service

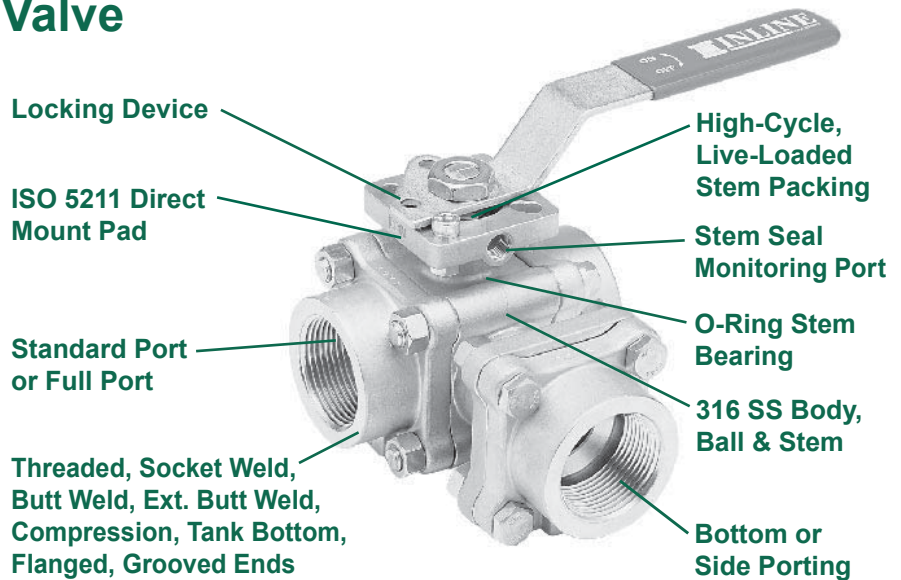
General Chemical

Industrial

Corrosion Resistant
Applications

The 364F/S Series Ball Valve

The 364 Series valve can reduce cost and space required to control flow using a single device. Available in both bottom- and side-entry configurations, the valve is primarily used for diverting a common inlet flow from one outlet to another. It can also be used for mixing two inlet flows into a single outlet stream. Uses for this valve include dual element filtration systems and temperature control applications.

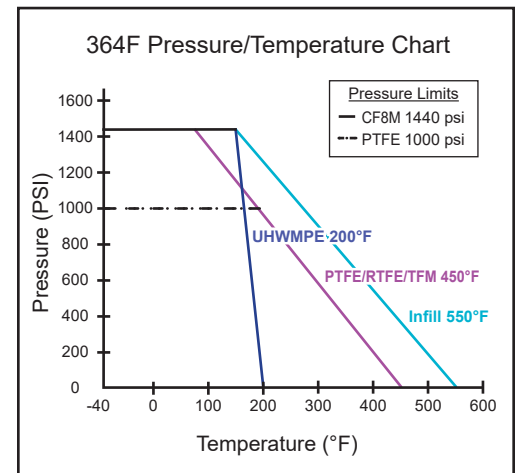


Standard Features and Benefits

- Dual Pattern ISO 5211 Direct Mount Pad**
 No bracket or drive coupling needed for automation
 Dual pattern pad fits a wide range of actuator sizes
 Eliminates exposed moving parts for safer work environment
 Prevents side-loading and improves actuator positioning
- High-Cycle, Live-Loaded Stem Packing**
 Energized spring stem seals self-adjust to compensate for wear, pressure/temperature changes ensuring a leak-tight seal and extending service life
- O-Ring Stem Bearing**
 Maintains stem alignment, while reduces packing side-loading wear and enhances stem seal performance
- Blow-Out-Proof Stem**
 Stem is bottom loaded to prevent removal when valve is in service
- Lockout Capability**
 Enables plant personnel to secure valve in open or closed position when manually operated
- Heavy Duty Construction**
 Made to full ASME B16.34 Class 600 dimensions for trouble-free performance over a wide range of service conditions
- Investment Cast**
 High quality investment castings improve dimensional control and reduce porosity
- Anti-Static Stem**
- Standard Valve Suitable for 150 PSI Saturated Steam**
- Castings Meet NACE MR0175/ISO 15156**

Options

- End Connections Available in NPT, Socket Weld, Butt Weld, Flanged or Grooved in 316 SS or Carbon Steel**
- Side-Entry or Bottom-Entry Porting**
- High Temperature Configuration Capable of Up to 250 psi Saturated Steam**
- Material Test Reports Available Upon Request**

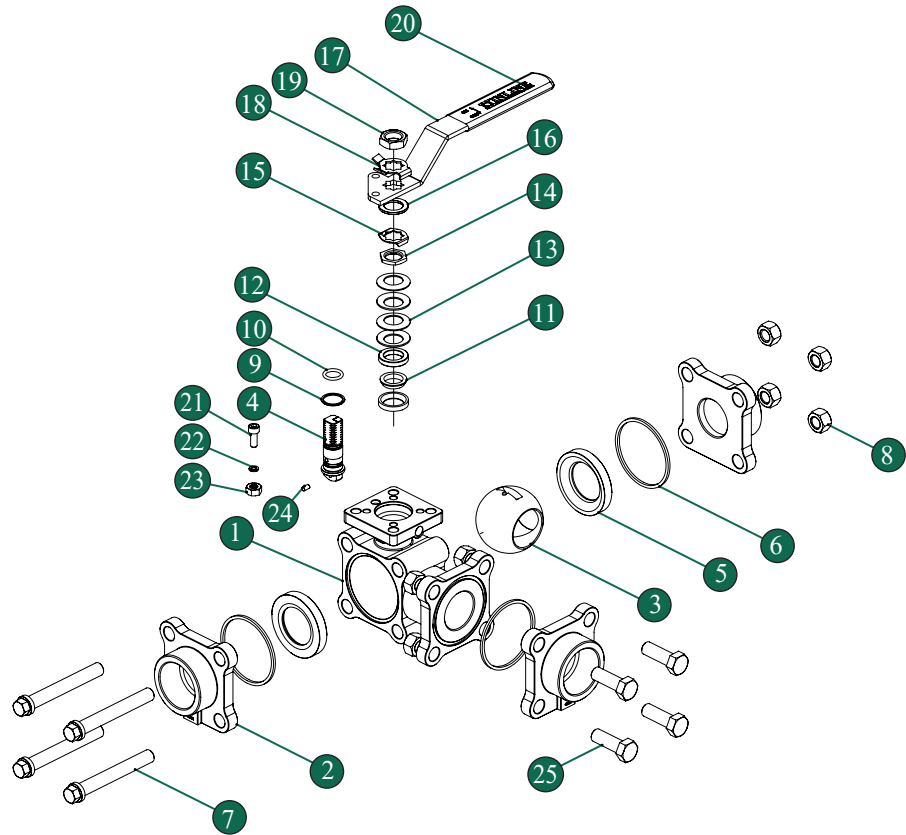


Operating Conditions

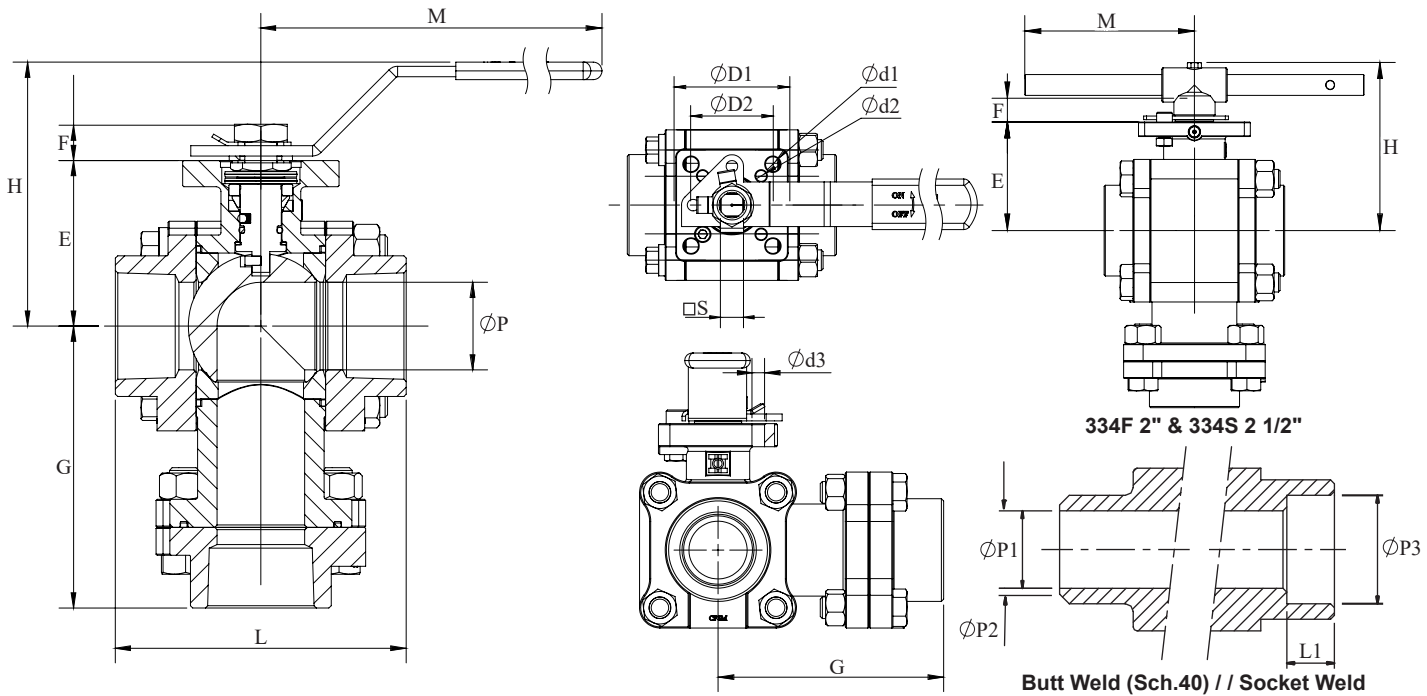
- Temperature Range:**
 -40°F ~ 550°F (Seat Dependent)
- Maximum Pressure:**
 ASME 600: 1440 PSI (CF8M)

Specifications

- All valves shell and seat tested to ANSI/ASME B16.34 and API 598
- All materials comply with applicable ASTM material specifications
- End connections:**
 All to ASME B16.34
 NPT to ASME B1.20.1
 Socket Weld to ASME B16.11
 Butt Weld to ASME B16.25
 Flanged to ASME B16.5



Valve Components			
No.	Part Name	Material	Qty
1	Body	CF8M	1
2	End Cap	CF8M	2
3	Ball	316 SS	1
4	Stem	316 SS	1
5	Seat	TFM	2
6	Body Seal	TFM	3
7	Body Bolt	304 SS	4
8	Body Nut	304 SS	8
9	Thrust Washer	PEEK	1
10	Stem O-Ring	Viton 75	1
11	Stem Packing Set	TFM	1
12	Packing Gland	304 SS	1
13	Belleville Washer	301 SS	4
14	Gland Nut	304 SS	1
15	Gland Nut Lock Washer	304 SS	1
16	Stem Spacer	304 SS	1
17	Handle	304 SS	1
18	Handle Nut Lock Washer	304 SS	1
19	Handle Nut	304 SS	1
20	Handle Cover	Vinyl	1
21	Stop Pin	304 SS	1
22	Split Lock Washer	304 SS	1
23	Stop Pin Nut	304 SS	1
24	Stem Set Pin	316 SS	1
25	Body Bolt (Hex)	304 SS	4

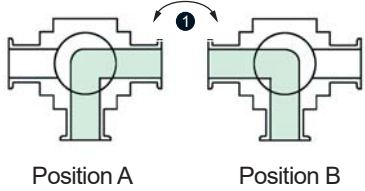
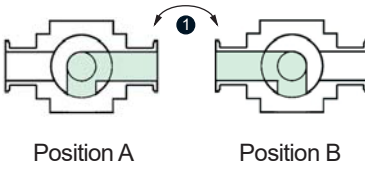
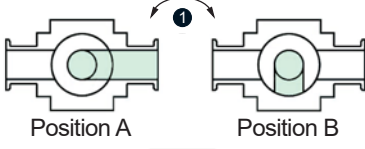



Dimensions (Inches)																					
364F	364S	L	L1	P	P1	P2	P3	M	H	E	F	G	D1	D2	d1	d2	d3	S	ISO 5211* Pattern	Cv 364F/364S	Weight ¹ (lbs)
1/4"	-	2.57	0.44	0.44	0.36	0.49	0.56	5.4	3.0	1.80	0.38	2.49	1.42	1.97	0.22	0.27	0.31	0.35	F03/F05	4.3	2.2
3/8"	1/2"	2.57	0.44	0.44	0.49	0.62	0.69	5.4	3.0	1.80	0.38	2.49	1.42	1.97	0.22	0.27	0.31	0.35	F03/F05	4.1 / 3.7	2.2
1/2"	3/4"	2.80	0.44	0.56	0.62	0.75	0.85	5.4	3.1	1.89	0.38	2.69	1.42	1.97	0.22	0.27	0.31	0.35	F03/F05	6.6 / 6.4	2.9
3/4"	1"	3.69	0.56	0.81	0.82	0.95	1.07	6.4	3.2	1.99	0.43	3.43	1.65	1.97	0.22	0.27	0.31	0.43	F03/F05	14.6 / 14.7	4.9
1"	1 1/4"	4.19	0.72	1.00	1.05	1.17	1.33	6.4	3.4	2.19	0.44	3.88	1.65	1.97	0.22	0.27	0.31	0.43	F03/F05	22.8 / 19.6	7.3
1 1/4"	1 1/2"	4.54	0.72	1.25	1.38	1.51	1.67	8.0	4.2	2.56	0.61	4.39	1.97	2.76	0.26	0.35	0.31	0.55	F05/F07	34.3 / 29.5	11.4
1 1/2"	2"	4.98	0.72	1.50	1.61	1.74	1.91	8.0	4.5	2.83	0.61	4.83	1.97	2.76	0.26	0.35	0.31	0.55	F05/F07	49.9 / 43.6	15.0
2"	2 1/2"	5.87	0.84	2.00	2.07	2.19	2.41	5.5	5.4	3.50	0.77	5.71	2.76	4.02	0.35	0.43	0.39	0.67	F07/F10	94.1 / 81.3	30.1

*Direct mount may require stem adapter bushings
¹Weights based on NPT Ends

Cv values are based on side port configuration and represents flow data to ISA 75.01.01 - 2007

Flow Pattern Options

3 Way - Side Entry L-Port (5L)				3 Way - Bottom Entry 180° Double L-Port (3Y)			
No.	Turn	Positions		No.	Turn	Positions	
01	90°	A & B		01	90°	A & B	
			Position A Position B				Position A Position B
3 Way - Bottom Entry 180° L-Port (3A)							
No.	Turn	Positions					
01	90°	A & B					
02	90°	B & C					
12	180°	A & B & C					
			Position A Position B				
			Position C				

364F/S Ordering Information

Example: 3-Piece Diverter Full Port Ball Valve, ISO 5211 Direct Mount Pad with Lever Handle and Locking Device, 316 SS Body and Trim, TFM Seats and Seals, NPT Ends, 3-Way Side Entry, L-Port

Valve Series	Valve Size	Body Material	End Material	Ball Material	Stem Material	Seat	Seal	End Connection	Port Config.	Ball Configuration
364F - Full Port	2 ¹ 1/4"	6 - A351 Gr. CF8M (316)	6 - A351 Gr. CF8M (316)	6 - 316 SS	6 - 316 SS	M - TFM C - RTFE (15% C.F.) S - Infill (Carbon, Carbon Fiber, Ekonol Filled Modified PTFE)	M - TFM G - Grafoil Q - S Gasket TFE (PTFE Coated 316 SS)	T - NPT S - Socket Weld 4 - Butt Weld Sch. 40** 1 - Butt Weld Sch. 10** 5 - Butt Weld Sch. 5** 6 - Ext. BW Sch. 10** 7 - Ext. BW Sch. 40** A - ANSI 150# Flanged B - ANSI 300# Flanged G - Grooved K - Tank Bottom** P - Compression	5 - 3 Way Side Entry 3 - 3 Way 180° Bottom Entry	A - Bottom Entry L-Port D - Side Entry Double L-Port L - Side Entry L-Port T - Side Entry T-Port Y - Bottom Entry Double L-Port
364S - Standard Port	3 ¹ 3/8"									
364C - Compression	5 1/2"									
	7 3/4"									
	A 1"									
	B 1 1/4"									
	C 1 1/2"									
	D 2"									
	E 2 1/2**									
			3 - A351 Gr. CF3M (316L)							
			2 - A216 Gr. WCB (CS)			T - PTFE U - UHMWPE	T - PTFE U - UHMWPE V - Viton			

*Standard Port Only

¹Full Port Only

**316L - Standard Material

Due to continuous product development, information may change without notice



INLINE INDUSTRIES, INC.

9056 Garvey Avenue

Rosemead, CA 91770

Tel: (800) 568-8998

(626) 813-6188

Fax: (626) 813-6186

www.ballvalve.com

info@ballvalve.com

Distributed by: